

EMC Shielding Products - continued

Hinged Clamp Cores - continued

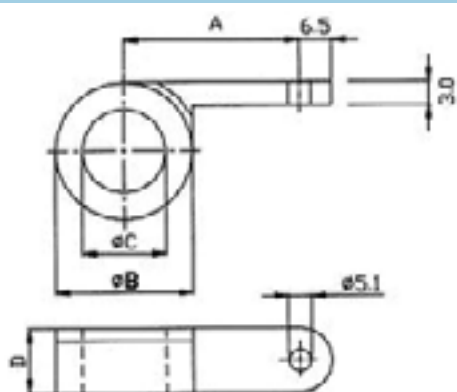
204024

	Cable Diameter	Order Code	1+	10+	50+	100+	+
LF-65B	6.5	964-0444	254.00	216.00	183.00	142.00	--
LF-100B	10	964-0452	349.00	305.00	266.00	210.00	--
LF-130B	13	964-0460	451.00	388.00	333.00	266.00	--
LF35B	3.5	964-0479	186.00	155.00	148.00	109.00	--
LF50B	5.0	964-0487	202.00	181.00	160.00	128.00	--

P' Cores

KEKITAGAWA

NEW



A high performance range of ferrite cores protected by a plastic case. Making them ideal for external use and industrial machinery.

Dimensions (mm)	Dia. External	Dia. Internal	H	Mfrs List No.	Order Code
19.4	19.4	8.2	30.2	TRCN-16-8-13	941-5777
19.4	19.4	8.2	30.2	TRCN-16-8-16	941-5785
25.7	25.7	10.4	38.2	TRCN-20-10-10	941-5793
26.8	26.8	11.4	39.4	TRCN-23-11-14	941-5807
32.8	32.8	16.4	45	TRCN-28-16-13	941-5815
32.8	32.8	16.4	45	TRCN-28-16-20	941-5823
44.6	44.6	27.4	57.3	TRCN-40-27-15	941-5831

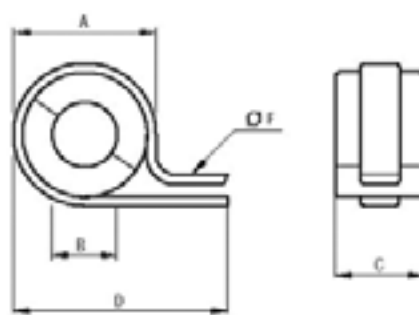
411301

Mfrs List No.	Order Code	1+	10+	50+	100+	+
TRCN-16-8-13	941-5777	334.00	305.00	275.00	246.00	--
TRCN-16-8-16	941-5785	359.00	319.00	299.00	261.00	--
TRCN-20-10-10	941-5793	364.00	324.00	295.00	266.00	--
TRCN-23-11-14	941-5807	398.00	359.00	329.00	300.00	--
TRCN-28-16-13	941-5815	481.00	442.00	412.00	383.00	--
TRCN-28-16-20	941-5823	506.00	467.00	438.00	407.00	--
TRCN-40-27-15	941-5831	526.00	476.00	447.00	417.00	--

Hinged Core

KEKITAGAWA

NEW



- Employs high-performance Nickel-Zinc ferrites
- Nylon 6/6 cases are UL94V-0 (except TRCN series UL94V-2)
- SFC/RFC and USB series employ patented designs to ensure tight grip of the cable and secure closure
- USB series has been designed to provide high impedance over a wide frequency range
- Available in both natural and black colours

Dimensions (mm)		Min. Impedance (Ω)		Mfrs List No.	Order Code
Width	Depth	25MHz	100MHz		
13.4	13.2	45	80	SFC-3	941-5688
13.9	13.6	122	168	USB-4	941-5700
16.3	15	96	138	SFC-4	941-5718
21	17.5	32	242	SFC-5	941-5726
23.5	20	32	139	SFC-6	941-5734
23.5	20	32	137	SFC-8	941-5742
32.6	29	32	149	SFC-10	941-5750
31.7	29.4	41	200	RFC-H13	941-5769

411299

Mfrs List No.	Order Code	1+	10+	50+	100+	+
SFC-3	941-5688	182.00	145.00	120.00	103.00	--
USB-4	941-5700	231.00	174.00	144.00	122.00	--
SFC-4	941-5718	294.00	216.00	178.00	150.00	--
SFC-5	941-5726	305.00	227.00	189.00	162.00	--
SFC-6	941-5734	329.00	264.00	219.00	187.00	--
SFC-8	941-5742	373.00	294.00	258.00	230.00	--
SFC-10	941-5750	549.00	431.00	366.00	316.00	--
RFC-H13	941-5769	575.00	469.00	399.00	346.00	--

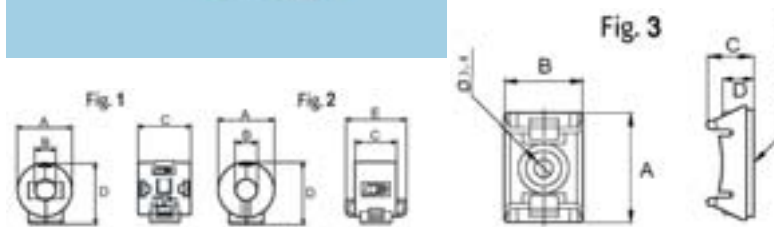
Hinged P' Cores

KEKITAGAWA

NEW



A high quality range of easy fit hinged ferrite clamps with the unique feature of being able to panel mount the units using a 3mm screw and/or adhesive tape. The units employ high performance Nickel-Zinc ferrites giving them high performance against high frequency noise. Suitable for single or multiple cables.



Dimensions (mm)		Min. Impedance (Ω)		Mfrs List No.	Order Code
Dia. External	Dia. Internal	25MHz	100MHz		
19.8	7.6	26.1	73	TFCM-16-8-16	941-5840
24.2	8.8	30.7	47	TFC-20-10-10	941-5858
27.4	10.8	33.9	72	TFC-23-11-14	941-5866
28.6	13.6	35.2	41	TFC-25-15-12	941-5874
20	13.5	4.8	-	TFP2014-T	941-5882
20	13.5	4.8	-	TFP2014-V	941-5890

411300

Mfrs List No.	Order Code	1+	10+	50+	100+	+
TFCM-16-8-16	941-5840	372.00	271.00	236.00	212.00	--
TFC-20-10-10	941-5858	381.00	280.00	246.00	222.00	--
TFC-23-11-14	941-5866	438.00	364.00	310.00	274.00	--
TFC-25-15-12	941-5874	457.00	383.00	326.00	288.00	--
TFP2014-T	941-5882	35.00	32.00	30.00	28.00	--
TFP2014-V	941-5890	30.00	27.00	25.00	23.00	--

Note: The plastic case has UL94V-0 approval.